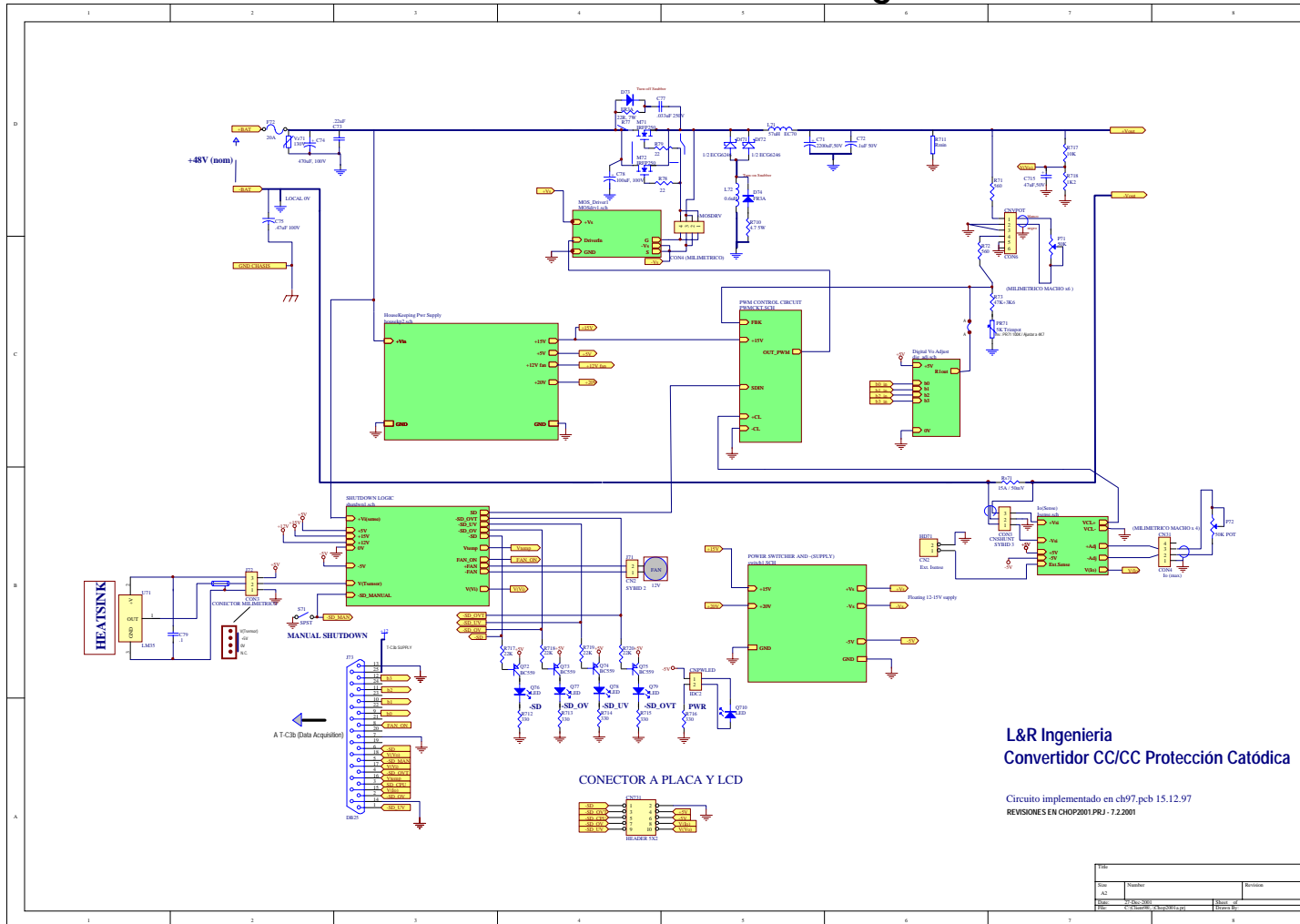




INGENIERIA
ELECTRONICA, MICROPROCESADORES, ENERGIA
T. DE LOQUI 58 - 9400 RIO GALLEGOS

DC/DC Converter Mod.C3b 48V - Master Diagram

Chop2001doc.pri



L&R Ingeniería
Convertidor CC/CC Protección Católica

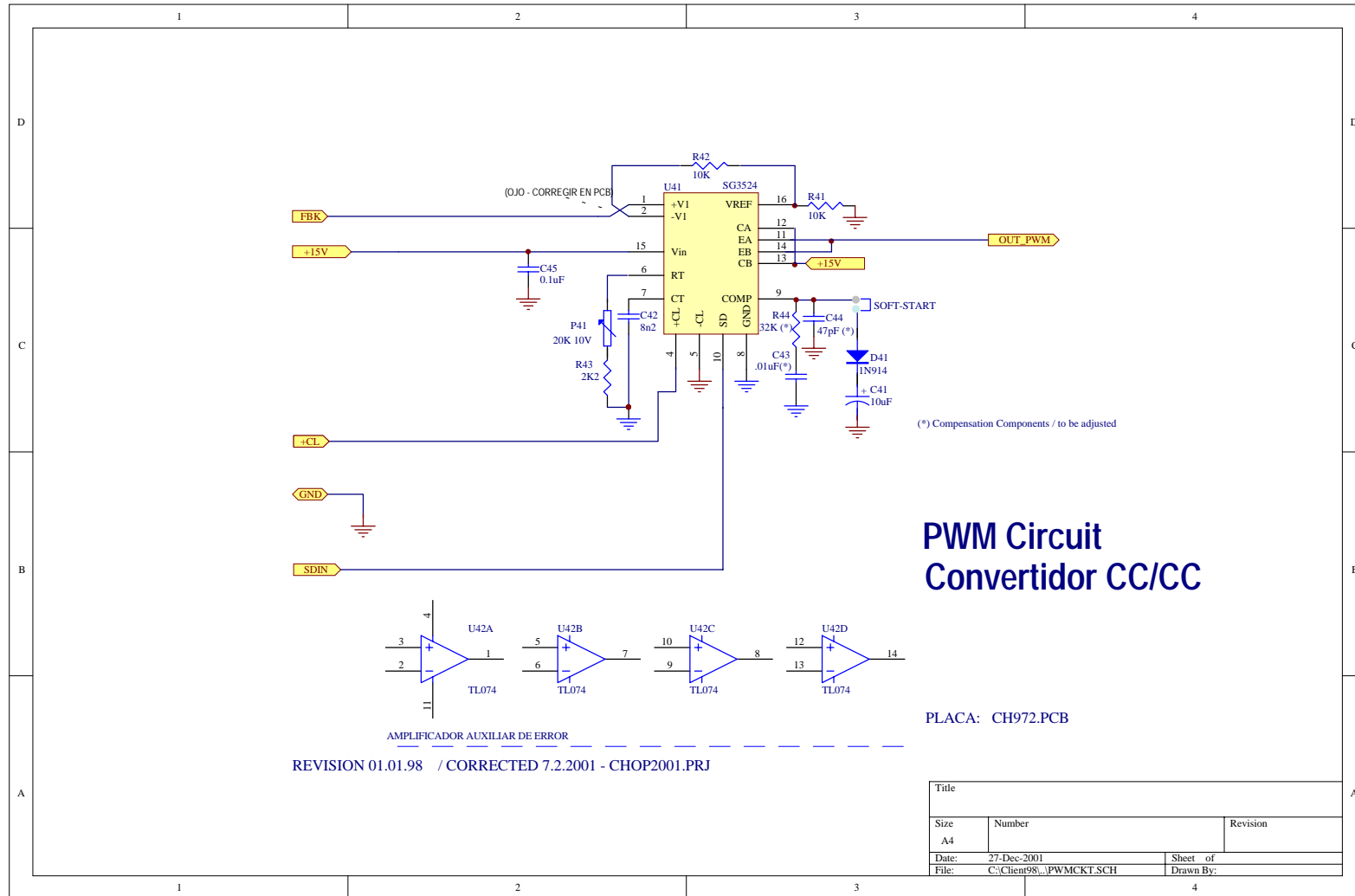
Circuito implementado en ch97.pcb 15.12.97
REVISIONES EN CHOP2001.PRJ - 7.2.2001

Title		
Rev.	Number	Revision
1	1	1
2	2	2
3	3	3
4	4	4
5	5	5
6	6	6
7	7	7
8	8	8
9	9	9
10	10	10



INGENIERIA
ELECTRONICA, MICROPROCESADORES, ENERGIA

T. DE LOQUI 58 - 9400 RIO GALLEGOS

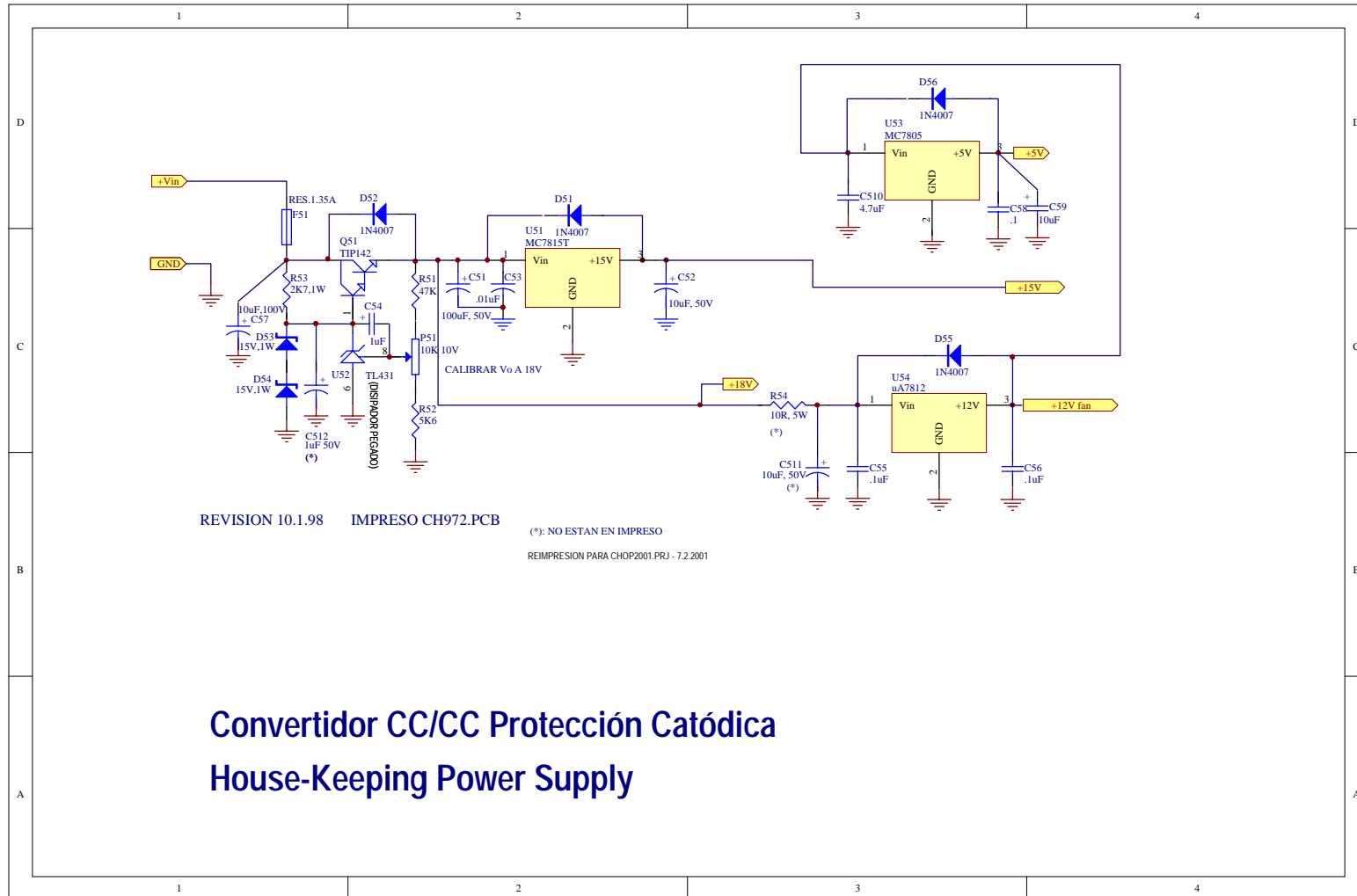


Pwmckt.sch



INGENIERIA
ELECTRONICA, MICROPROCESADORES, ENERGIA

T. DE LOQUI 58 - 9400 RIO GALLEGOS



REVISION 10.1.98 IMPRESO CH972.PCB

(*) NO ESTAN EN IMPRESO
REIMPRESION PARA CHOP2001.PRJ - 7.2.2001

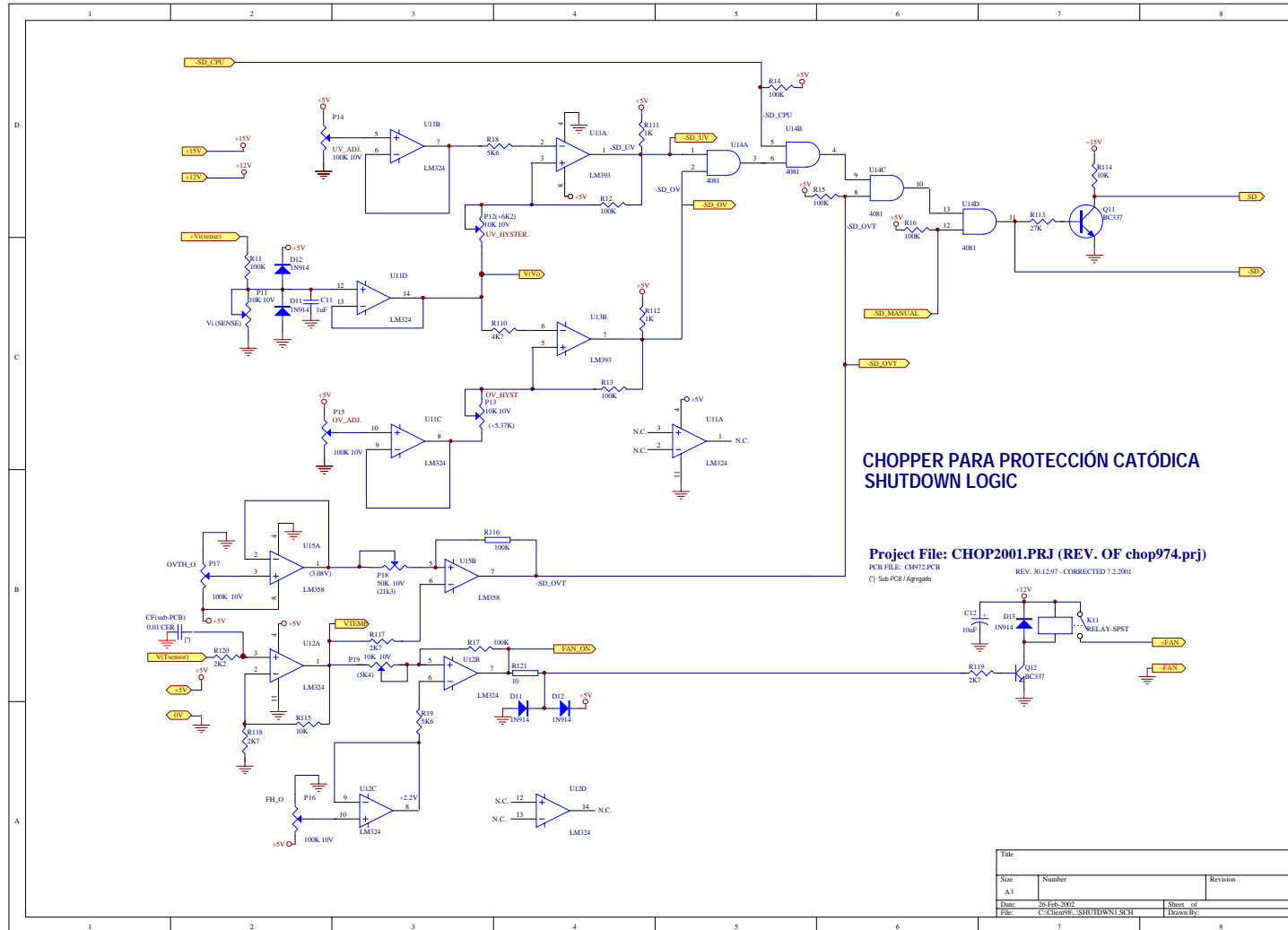
Convertidor CC/CC Protección Catódica House-Keeping Power Supply

housekp2.sch



INGENIERIA
ELECTRONICA, MICROPROCESADORES, ENERGIA

T. DE LOQUI 58 - 9400 RIO GALLEGOS

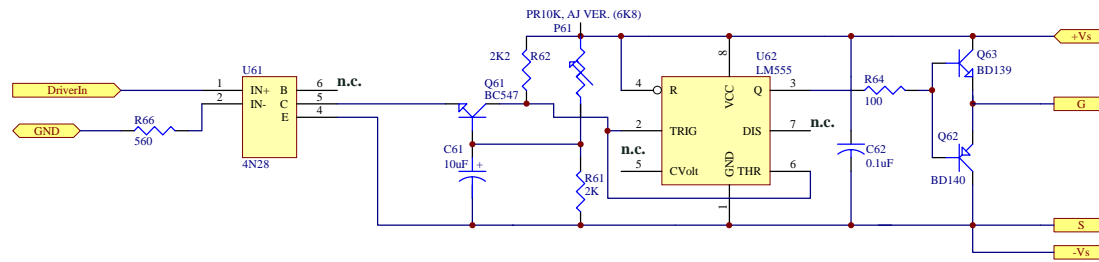


Shutdwn1.sch

Title		
Size	Number	Revision
A3		
Date	26-Feb-2003	Sheet of
File	C:\Clean98\SHUTDOWN1.SCH	Drawn By:



MOS Driver Circuit (C) 1997 R.Oliva & L.Gonzalez



PCB FILE: CH972.PCB

Project File: chop2001.prj

Rev.: 7/2/2001 - based on chop974.prj

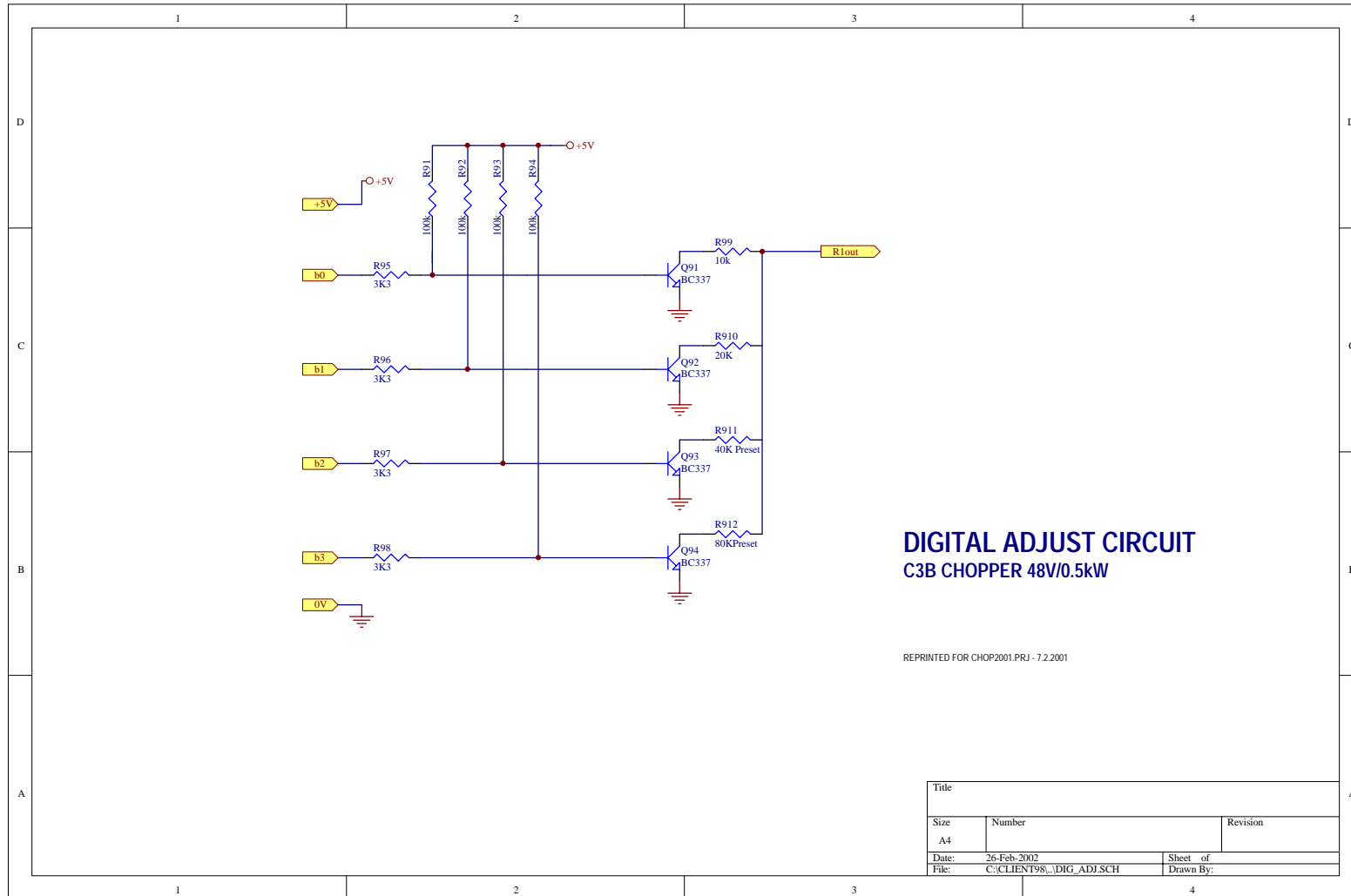
MOS (N-Type) Isolated Gate Driver.

Adapted for Chopper Circuits, Uses Cascode Configuration for higher speed from standard optocouplers.

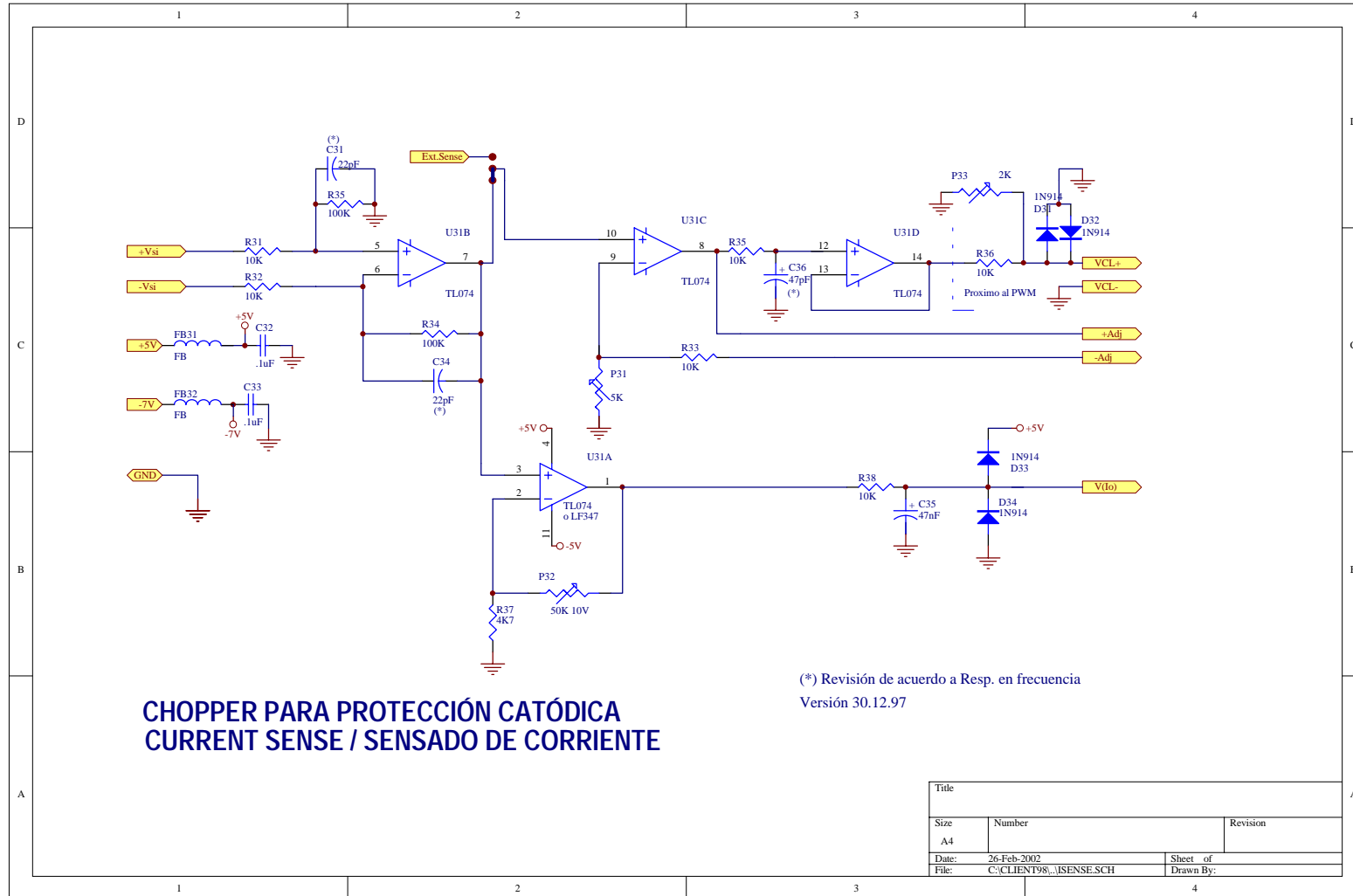
Requires Floating, isolated power supply. 12V at 0.2A - 1996/97

Title		
Size	Number	Revision
A4		
Date:	26-Feb-2002	Sheet of
File:	C:\Chen98\...MOSDRV1.SCH	Drawn By:

Mosdrv1.sch



Dig_adj.sch



lsense.sch



INGENIERIA
ELECTRONICA, MICROPROCESADORES, ENERGIA

T. DE LOQUI 58 - 9400 RIO GALLEGOS

